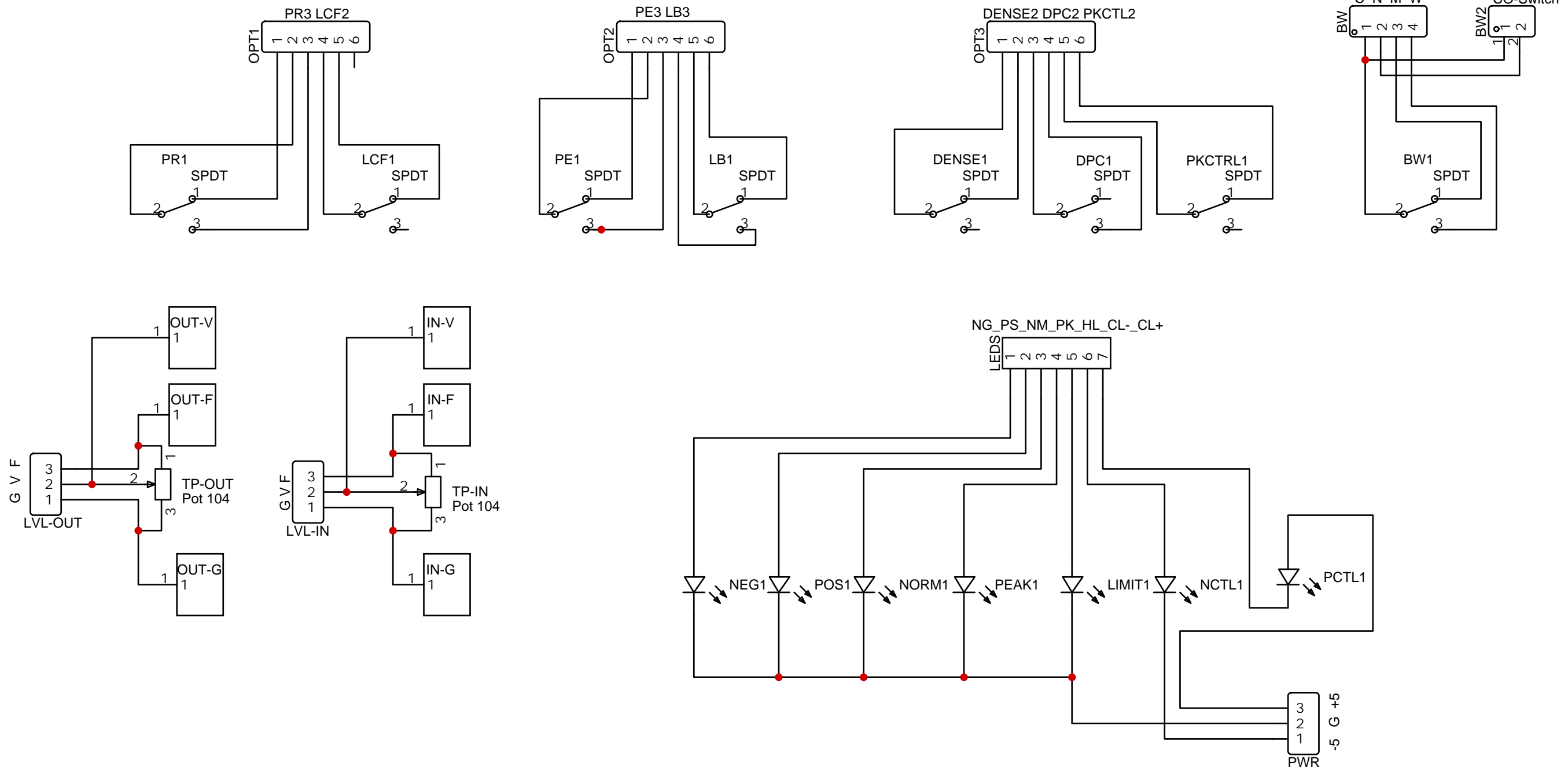


The "MAX" Audio Processor LED and Switch Front Panel Interconnect PCB



File AP20230511FPIv500OneU

Copyright 2022 W8KHK. Amateur or individual use is permitted. Commercial use of any kind is prohibited without the express written consent of the author, Richard A. Maxwell.

TITLE: W8KHK N1BCG The "MAX" Audio Processor		REV: 5.00
EasyEDA	Company: Max Innovations	
	Date: 2023-05-11	Drawn By: W8KHK
		Sheet: 1/1