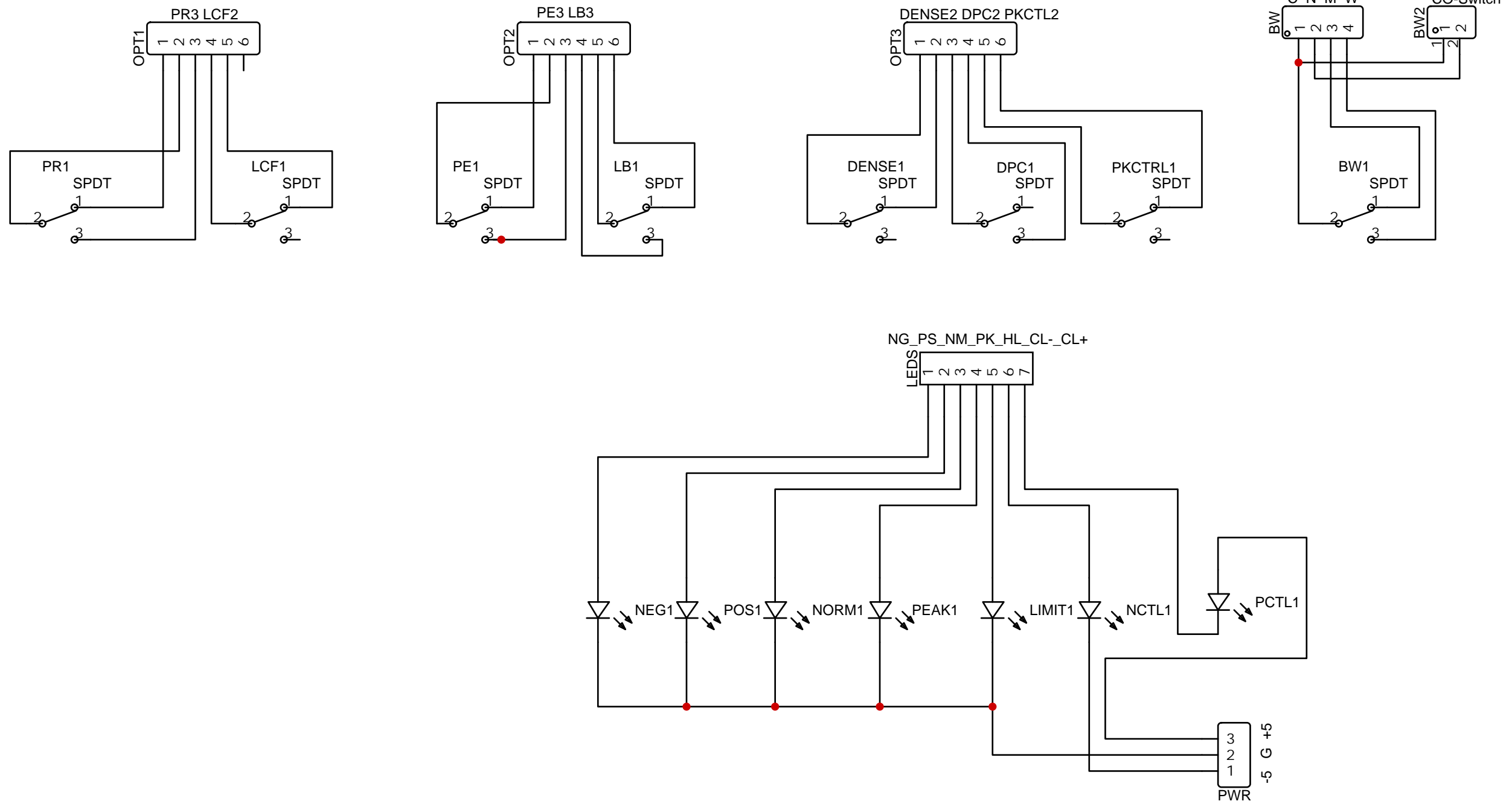



The "MAX" Audio Processor LED and Switch Front Panel Interconnect PCB



Copyright 2022 W8KHK. Amateur or individual use is permitted.
 Commercial use of any kind is prohibited without the express
 written consent of the author, Richard A. Maxwell.

File AP20230511FPIv500OneU

TITLE: W8KHK N1BCG The "MAX" Audio Processor		REV: 5.00
	Company: Max Innovations	
	Date: 2023-05-11	Drawn By: W8KHK

Sheet: 1/1