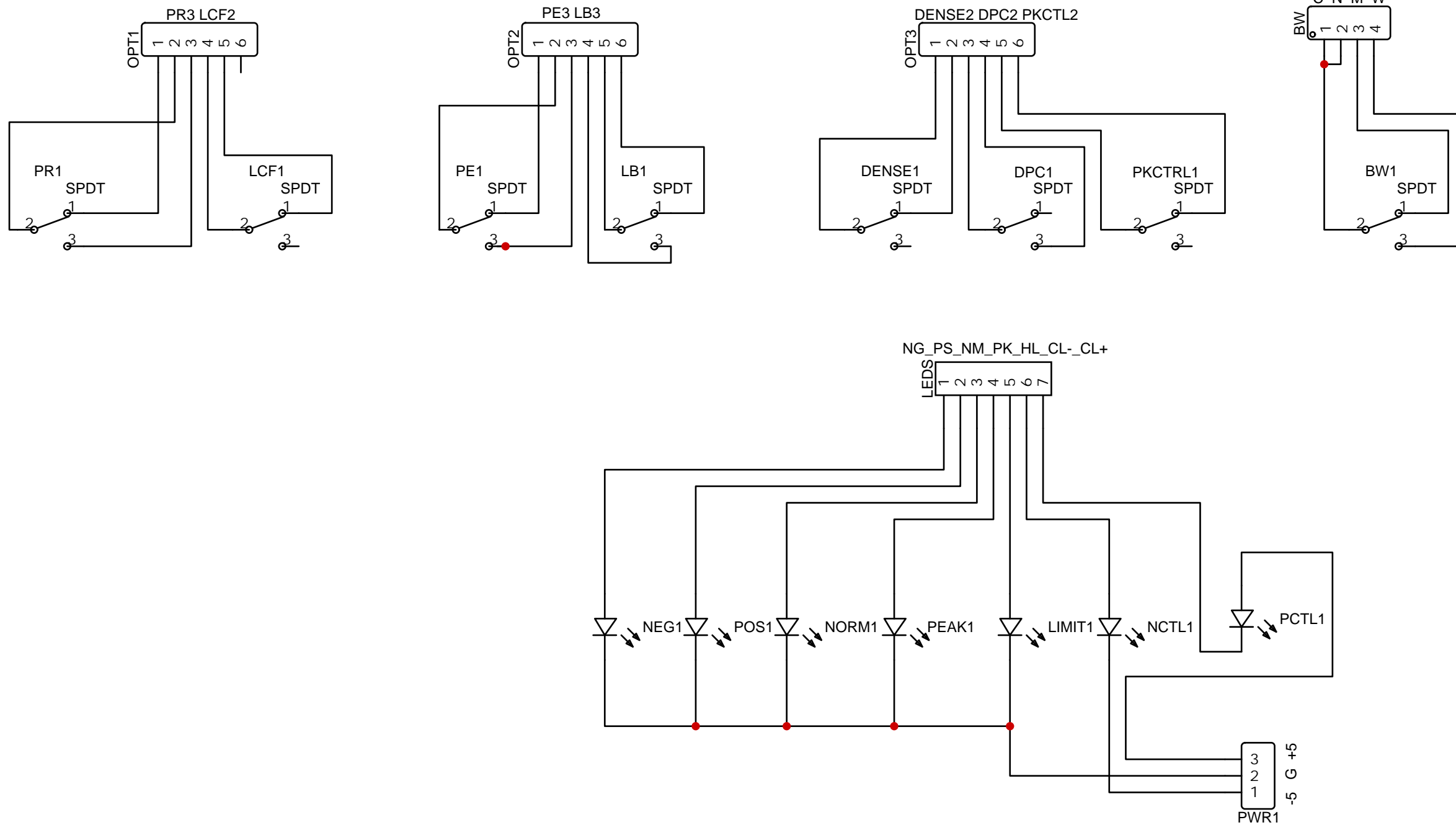


The "MAX" Audio Processor LED and Switch Front Panel Interconnect PCB Panel for desktop dress panel interface



File AP20230511fpi2UP

Copyright 2022 W8KHK. Amateur or individual use is permitted.
Commercial use of any kind is prohibited without the express
written consent of the author, Richard A. Maxwell.

TITLE: W8KHK N1BCG The "MAX" Audio Processor		REV: 5.00
EasyEDA		Company: Max Innovations
Date: 2023-05-11		Drawn By: W8KHK
Sheet: 1/1		