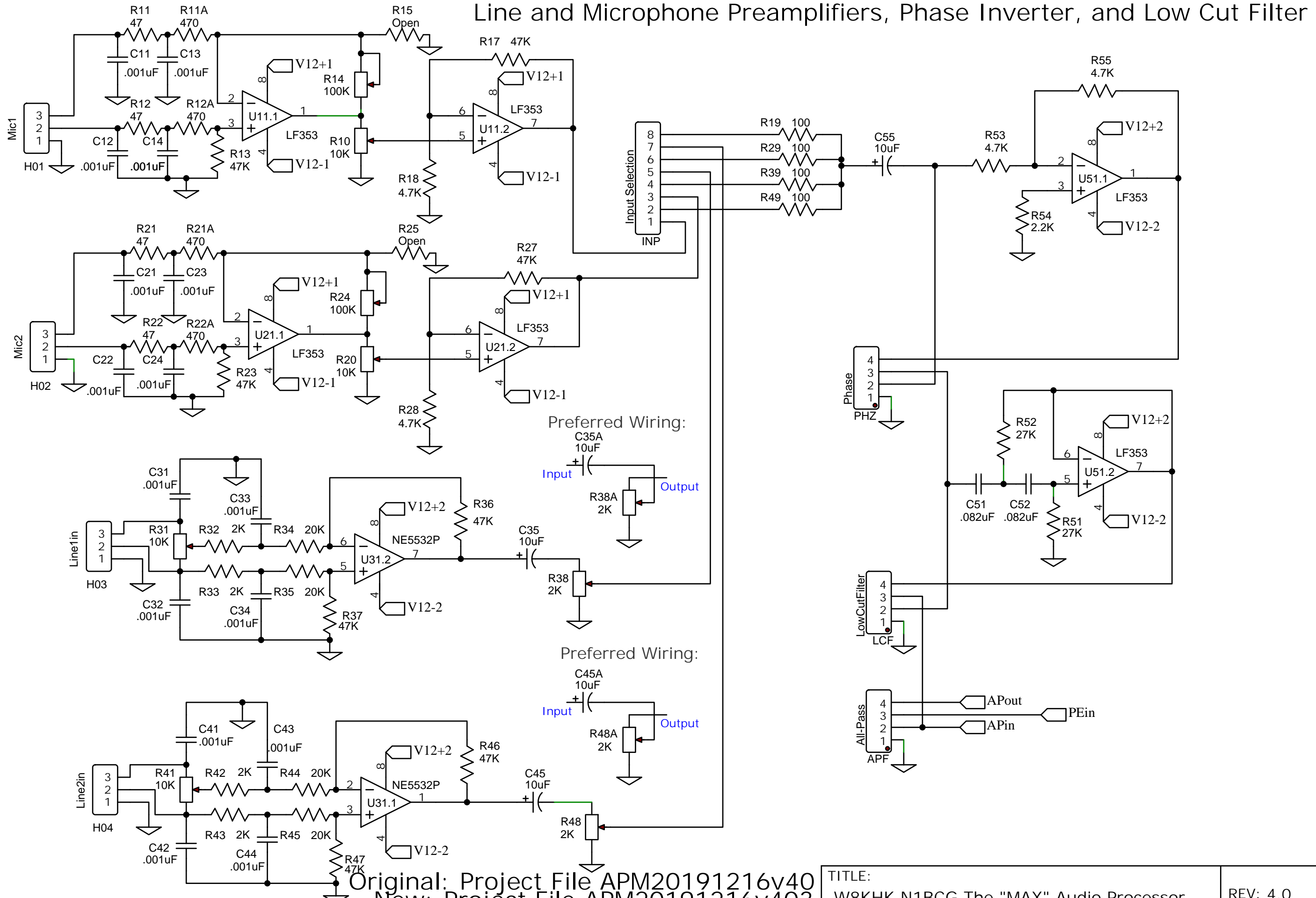


Line and Microphone Preamplifiers, Phase Inverter, and Low Cut Filter

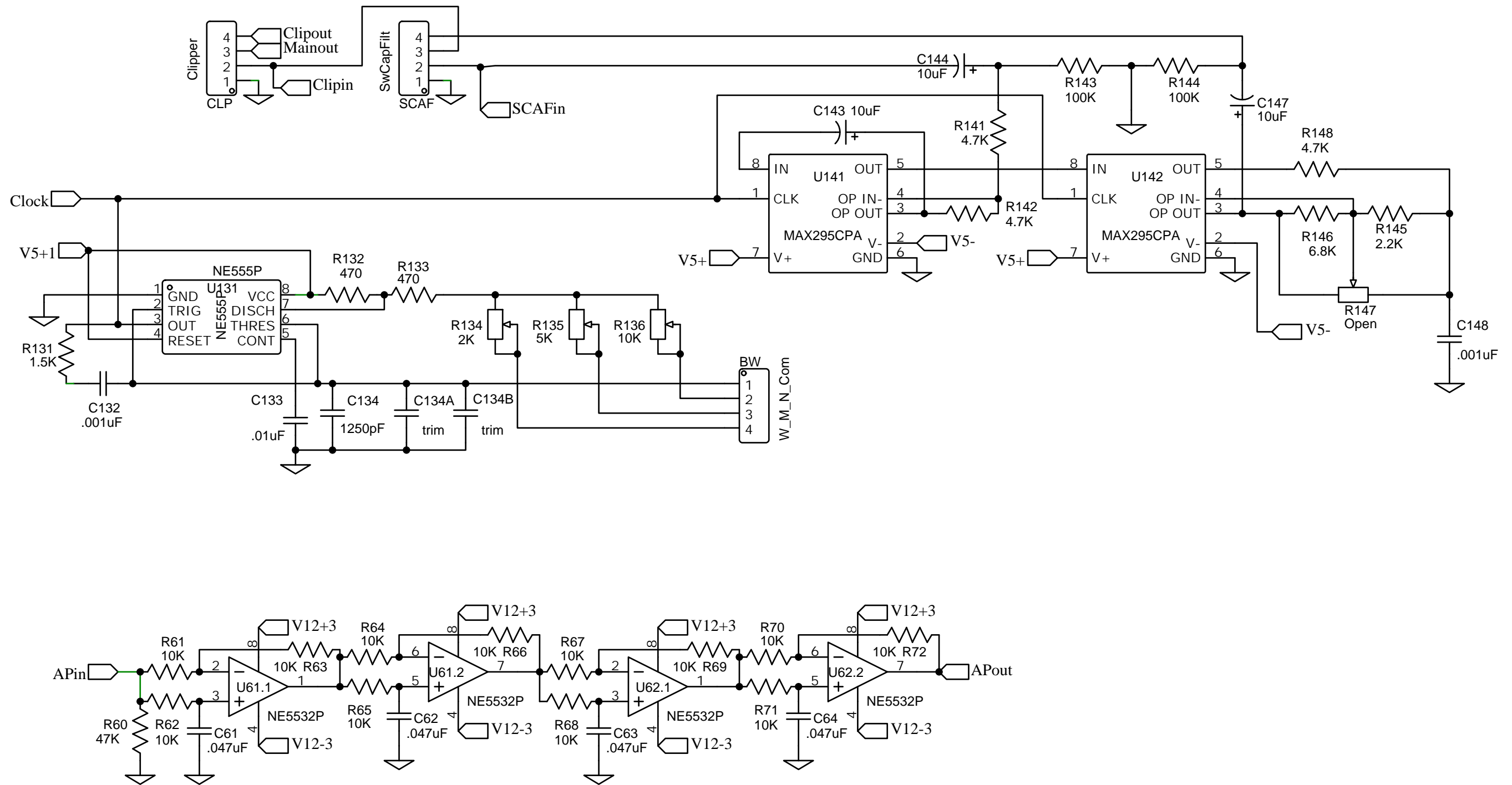


TITLE: W8KHK N1BCG The "MAX" Audio Processor		REV: 4.0
Date: 2020-05-11	Sheet: 1/6	
EasyEDA V5.8.22	Drawn By: W8KHK	

Copyright 2019 W8KHK. Amateur or individual use is permitted.
Commercial use of any kind is prohibited without the express
written consent of the author, Richard A. Maxwell.

Original: Project File APM20191216v40
New: Project File APM20191216v403
Edited: 2020-05-11 RAM

All-Pass Filter, Clock, and SCAF

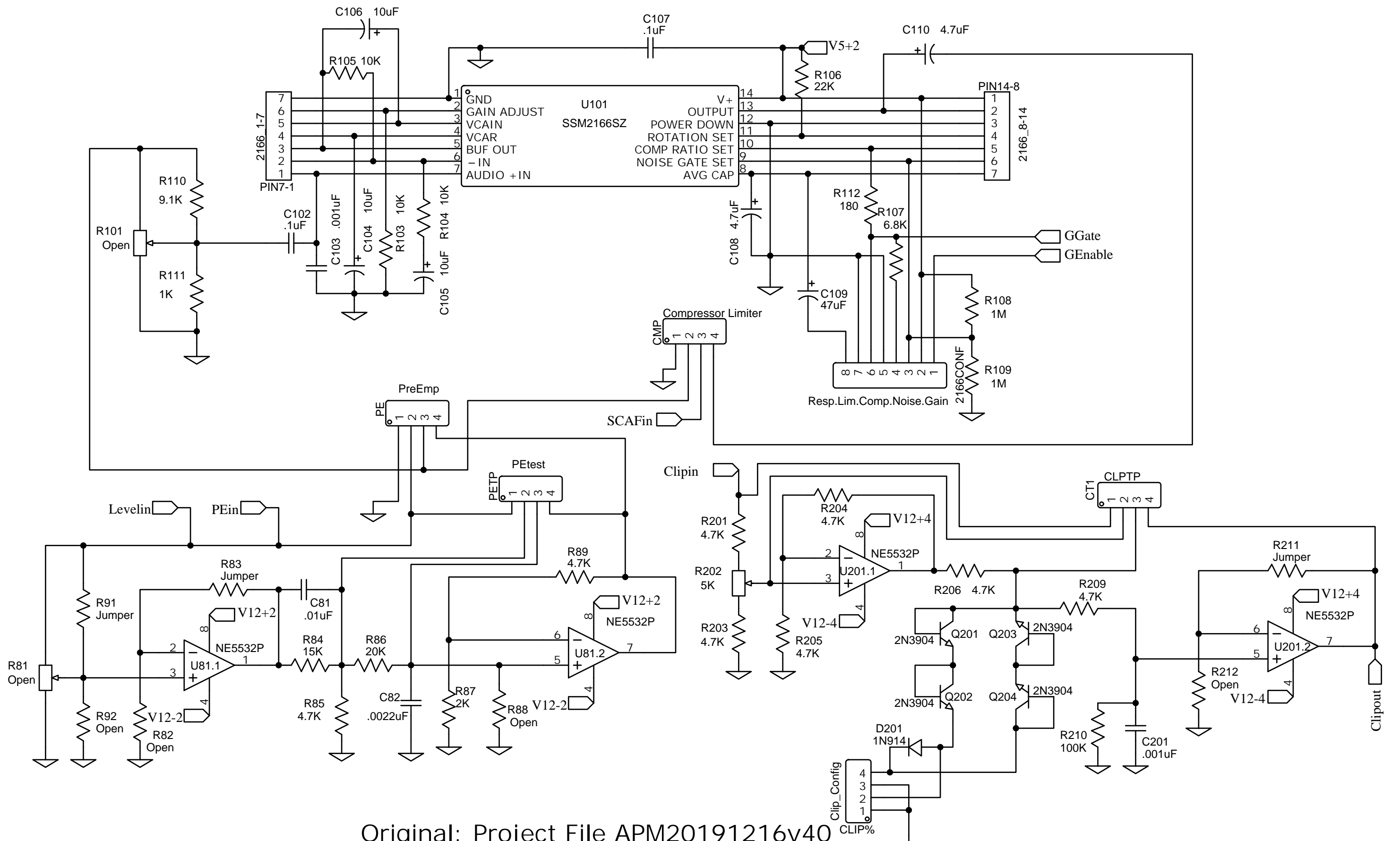


Original: Project File APM20191216v40
 New: Project File APM20191216v402
 Edited: 2020-04-10 RAM

Copyright 2019 W8KHK. Amateur or individual use is permitted.
 Commercial use of any kind is prohibited without the express
 written consent of the author, Richard A. Maxwell.

TITLE: W8KHK N1BCG The "MAX" Audio Processor		REV: 4.0
Date: 2019-12-16	Sheet: 2/6	
EasyEDA V5.8.22	Drawn By: W8KHK	

Pre-Emphasis, Compressor Limiter, and Clipper



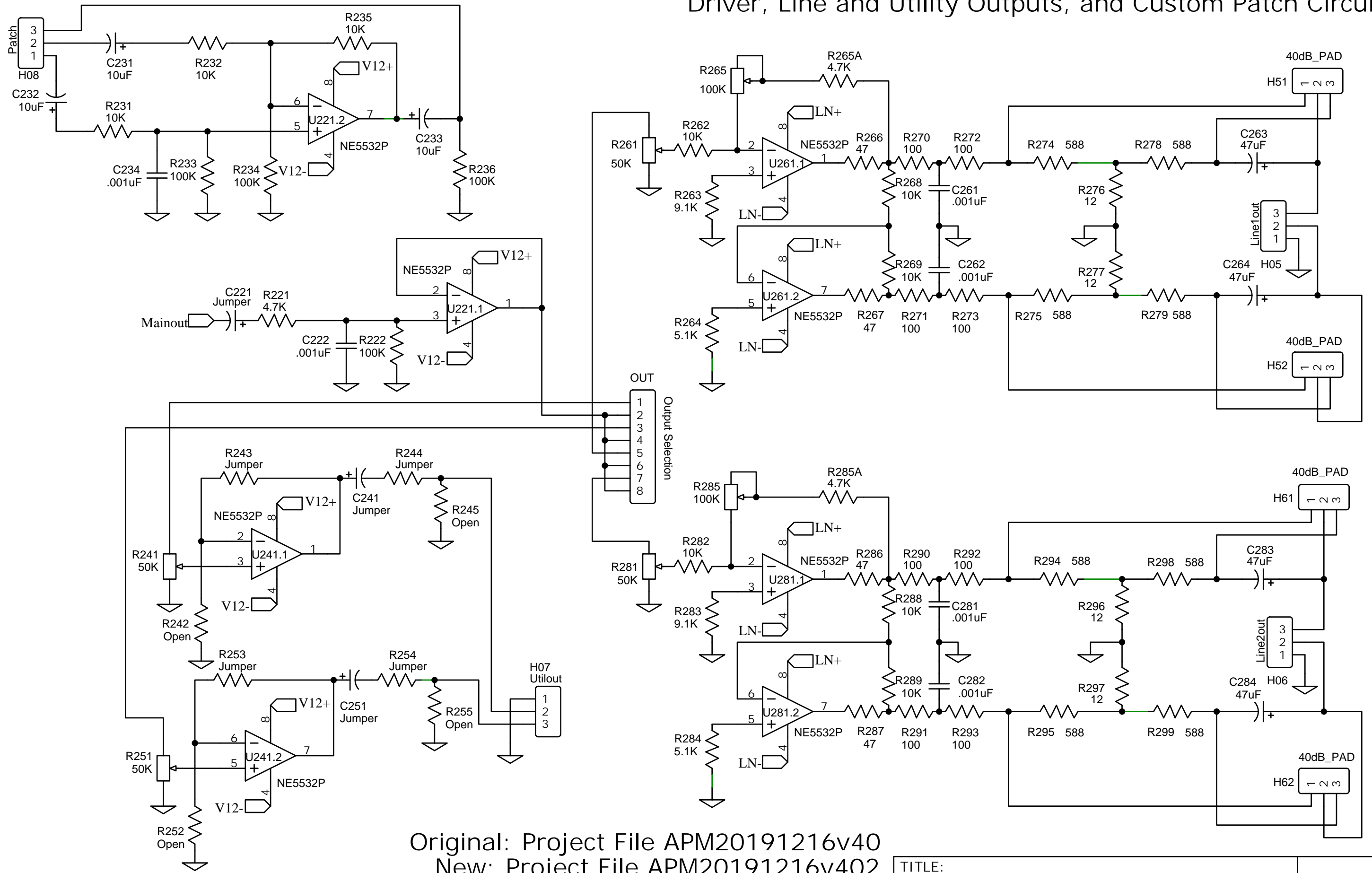
Original: Project File APM20191216v40
 New: Project File APM20191216v403

Copyright 2019 W8KHK. Amateur or individual use is permitted. Edited: 2020-05-11 RAM
 Commercial use of any kind is prohibited without the express written consent of the author, Richard A. Maxwell.

TITLE: W8KHK N1BCG The "MAX" Audio Processor		REV: 4.0
Company: Max Innovations		Sheet: 3/6
Date: 2020-05-11		Drawn By: W8KHK



Driver, Line and Utility Outputs, and Custom Patch Circuit

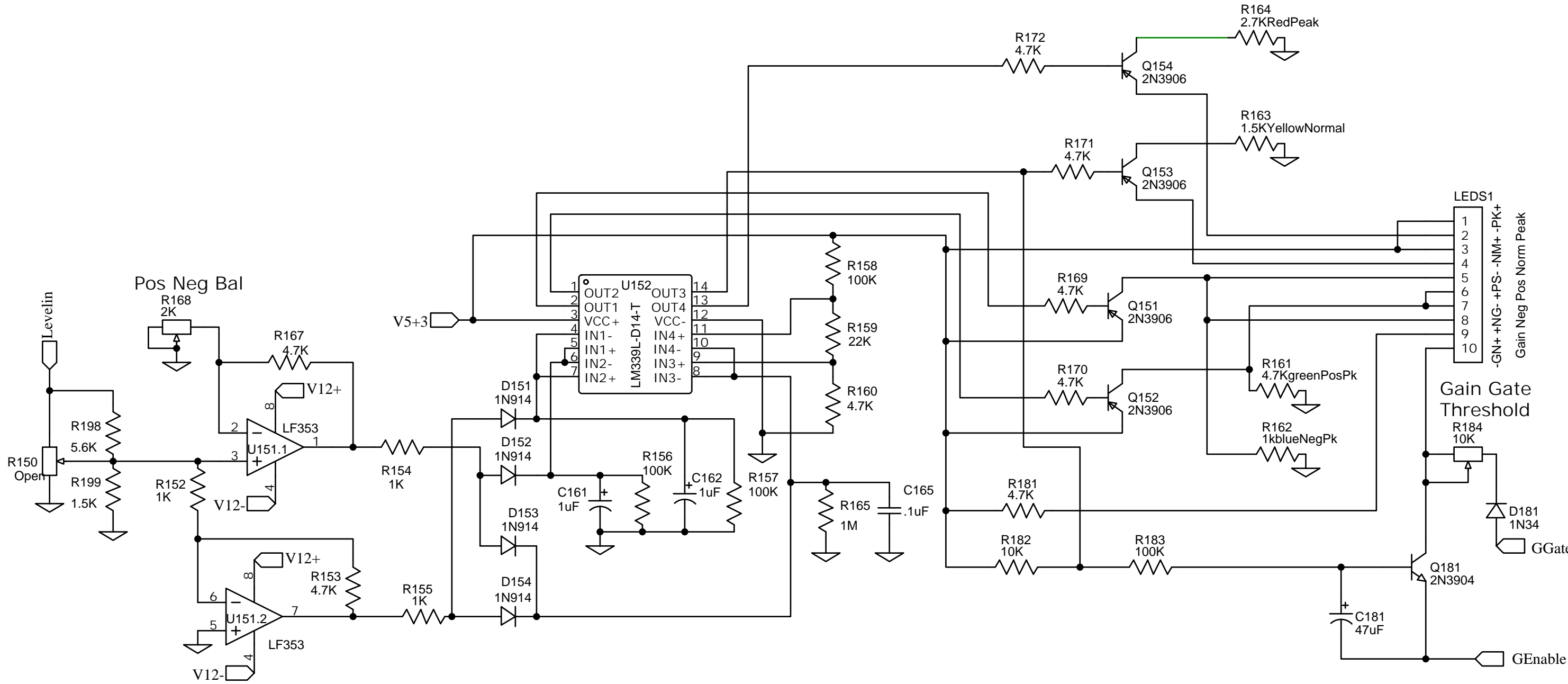


Original: Project File APM20191216v40
 New: Project File APM20191216v402
 Edited: 2020-04-10 RAM

Copyright 2019 W8KHK. Amateur or individual use is permitted.
 Commercial use of any kind is prohibited without the express
 written consent of the author, Richard A. Maxwell.

TITLE: W8KHK N1BCG The "MAX" Audio Processor		REV: 4.0
Date: 2019-12-16	Sheet: 4/6	
EasyEDA V5.8.22	Drawn By: W8KHK	

Gain Gate, Level Indicator and LED Drivers

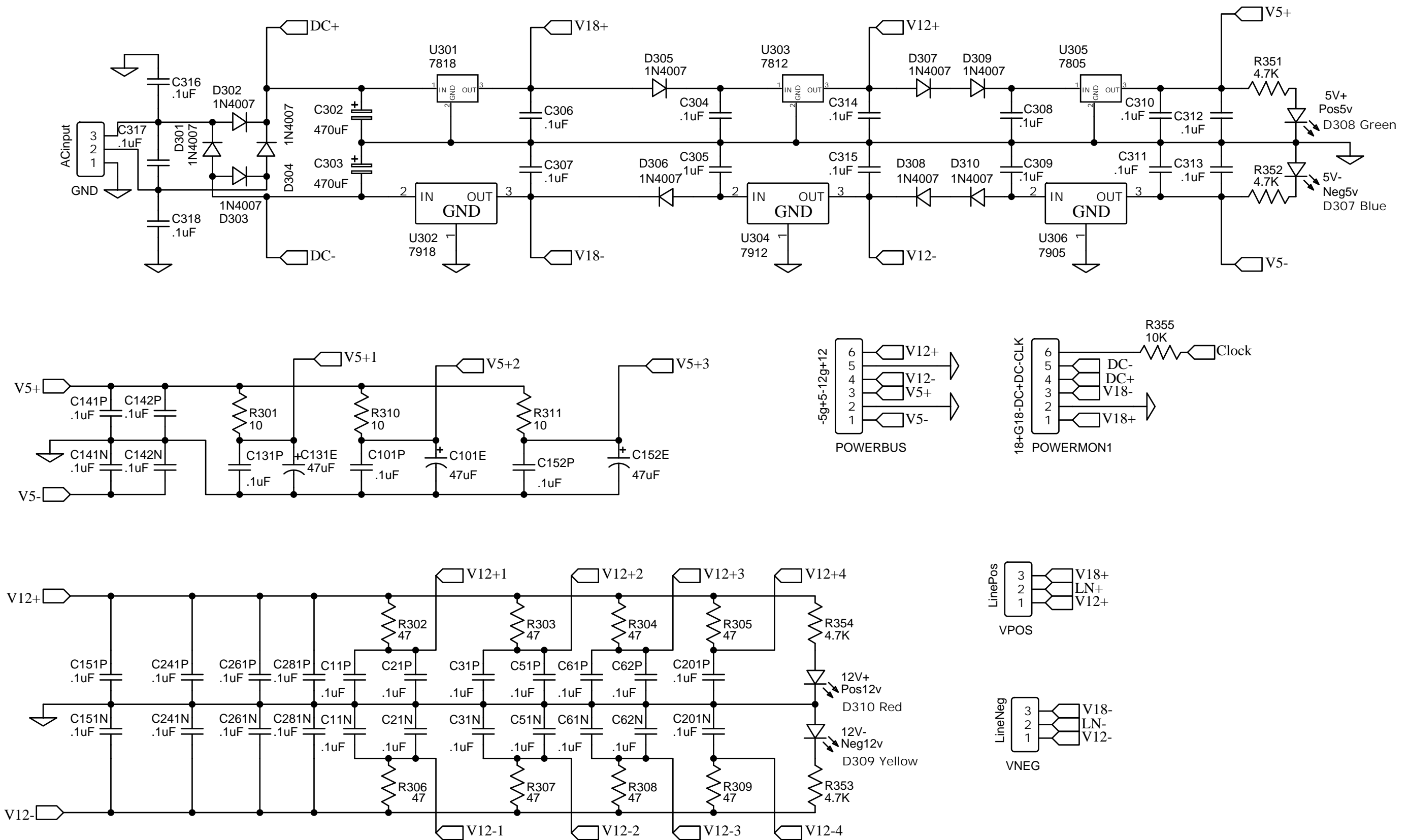


Original: Project File APM20191216v40
 New: Project File APM20191216v403

Copyright 2019 W8KHK. Amateur or individual use is permitted. Edited: 2020-05-11 RAM
 Commercial use of any kind is prohibited without the express written consent of the author, Richard A. Maxwell.

TITLE: W8KHK N1BCG The "MAX" Audio Processor		REV: 4.0
	Company: Max Innovations	Sheet: 5/6
	Date: 2020-05-11	Drawn By: W8KHK

Power Supply Rectifiers, Filters, Regulators, and De-Coupling Circuits



Original: Project File APM20191216v40
 New: Project File APM20191216v402

Copyright 2019 W8KHK. Amateur or individual use is permitted. Edited: 2020-04-10 RAM
 Commercial use of any kind is prohibited without the express written consent of the author, Richard A. Maxwell.

TITLE: W8KHK N1BCG The "MAX" Audio Processor		REV: 4.0
Company: Max Innovations		Sheet: 6/6
Date: 2019-12-16		Drawn By: W8KHK

